

# Delta-Dir-Delta S

23

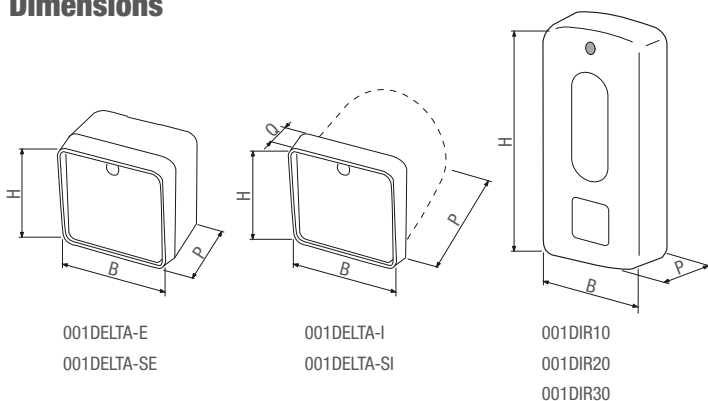
## Photocells

## Safety devices for gates and doors in movement



- Controlling of the gate movement areas.
- Infrared beam, even synchronised, to fend off possible external signal disturbances.
- For the Dir series photocells a double height post is available for installations on passage ways where heavy vehicles transit.
- Today Came offers its Delta series infrared beam and Delta S synchronised beam photocells: one design for surface and flush-mounted applications.
- High-grade of protection from environmental agents.

## Dimensions



## Dimensions (mm/in)

MODEL	MOUNTING	B	H	P	Q
DELTA - E	SURFACE-MOUNTED	70/2.75	70/2.75	36/1.41	-
DELTA - SE	SURFACE-MOUNTED	70/2.75	70/2.75	36/1.41	-
DELTA - I	SURFACE-MOUNTED	70/2.75	70/2.75	52/2.04	16/0.62
DELTA - SI	FLUSH-MOUNTED	70/2.75	70/2.75	52/2.04	16/0.62
DIR10 - DIR20 - DIR30	SURFACE-MOUNTED	46/ 1.81	108/4.25	23/0.9	-

● 12 - 24 V AC - DC

## Limits to use

MODEL	DELTA-E - DELTA-I	DELTA-SE - DELTA-SI	DIR10	DIR20	DIR30
Max range (m/ft)	20/65.61	20/65,61	10 /32.8	20/65.62	30/98.42

● 12 - 24 V AC - DC

## Technical features

Type	DELTA-E - DELTA-I	DELTA-SE - DELTA-SI	DIR10 - DIR20 - DIR30
Protection rating IP	IP54	IP54	IP54
Power supply (V)	12 - 24 AC - DC	12 - 24 AC - DC	12 - 24 AC - DC
24 V relais output (mA)	500	500	1000
24 V AC current draw (mA)	110	70	60
Operating temperature (°C/°F)	-20 ÷ +55/-4 ÷ +131°C/°F	-20 ÷ +55/-4 ÷ +131°C/°F	-20 ÷ +55/-4 ÷ +131°C/°F
Material	ABS - POLYCARBONATE	ABS - POLYCARBONATE	ABS - POLYCARBONATE

● 12 - 24 V AC - DC